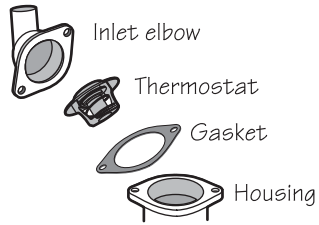




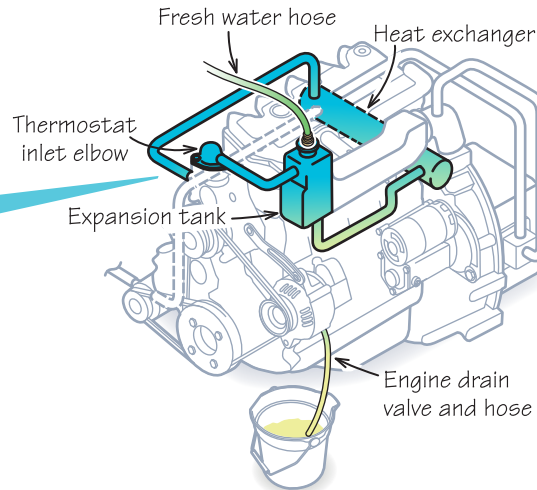
Engine Coolant Flush with Trac's Descaler

Thermostat

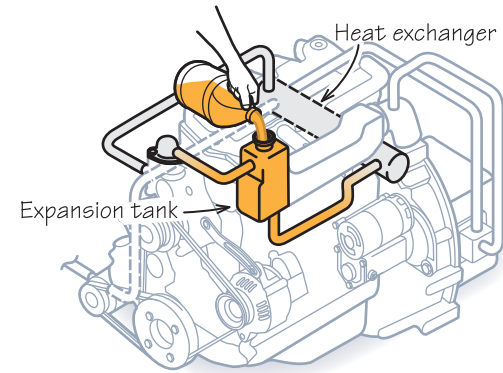
Remove thermostat and replace inlet elbow and gasket.



- 1 To ensure proper flow, remove the thermostat during the flushing procedure.

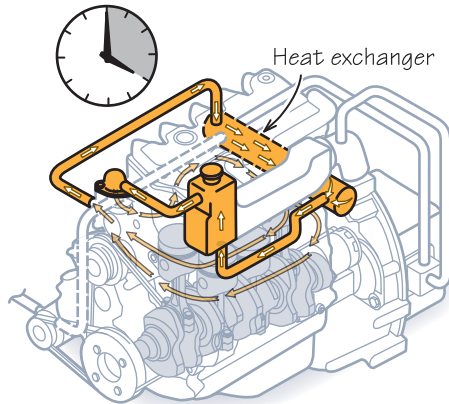


- 2 Drain coolant from engine and flush with fresh water to ensure all the coolant has been completely removed.

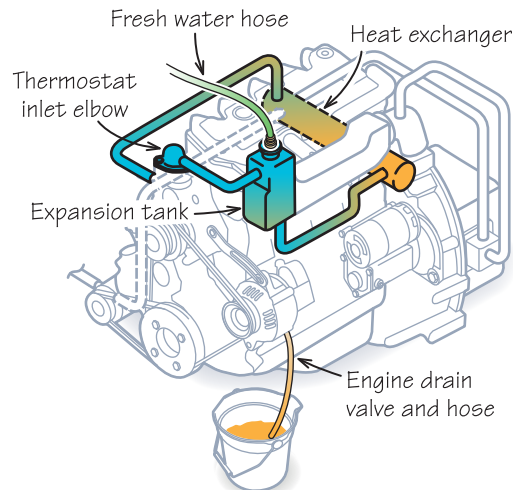


- 3 Fill system with a pre-mixed solution of water and TRAC Descaler Concentrate® (see product label for correct dilution ratio).

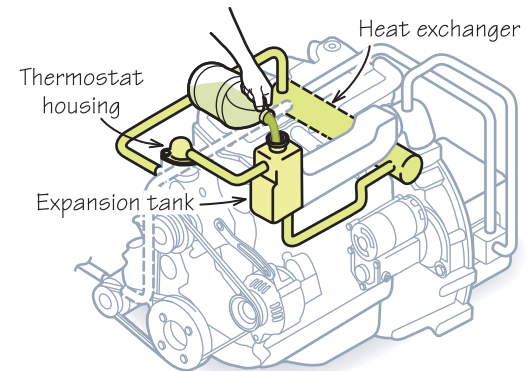
Run engine for 4 hours



- 4 Start engine to circulate solution through internal cooling channels. Run engine intermittently on and off every 30 minutes for four hours.



- 5 Drain solution and flush system until all traces of the TRAC Descaler® solution are removed.



- 6 Secure drain valve, replace thermostat and fill the engine with engine coolant (see manufacturer's specifications).